



# Transformer Disconnects

For Control Panel Lighting and Auxiliary Power



**UL and CUL Listed**  
**TÜV Rheinland Licensed / CE Marked Series**

**Dongan Electric Manufacturing Co.**  
2987 Franklin  
Detroit, MI 48207  
800.428.2626 • 313.567.8500  
Fax 313.567.8828 • [www.dongan.com](http://www.dongan.com)  
[sales@dongan.com](mailto:sales@dongan.com)

**Distributed By:**



**Celebrate  
Our 100th  
Anniversary  
With Us**

# Table of Contents

*TDL Series NEMA 1-12* ..... 3-4

*TDE Series NEMA 1-12* ..... 5-6

*TDA Series NEMA 1-12* ..... 7-8  
*Auxiliary Power*

*TLA Series NEMA 1-12* ..... 9-10  
*Dual Secondary*

*ADL Series NEMA 1-12* ..... 11-12

*TDG12 Giant Series NEMA 12* ..... 13

*TM Series Compact Style* ..... 14-15

*TDFM12 Series Slimline* ..... 16

## Options

<b>Description</b>	<b>Suffix</b>
<i>Red on Pilot Light</i>	<i>R</i>
<i>Green on Pilot Light</i>	<i>G</i>
<i>Duplex Receptacle (NEMA 1)</i>	<i>D</i>
<i>Gasketed Duplex Receptacle</i>	<i>C</i>
<i>GFI Receptacle</i>	<i>F</i>
<i>Ground Fault Lights</i>	<i>Z</i>
<i>100K AIC Rating</i>	<i>Y</i>
<i>Delete Feature Provides</i>	<i>X</i>
<i>200K AIC</i>	<i>Contact Factory</i>
<i>Constant Voltage Lighting Disconnects</i>	<i>Consult Factory</i>

# Transformer Disconnect



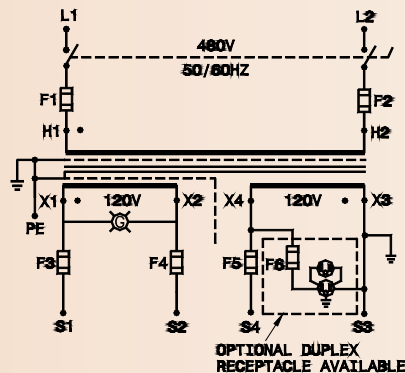
Dongan Electric Manufacturing Company is pleased to display its new line of Transformer Lighting Disconnects. The products in this catalog represent the most advanced series of disconnects available in the market today. Most important, these products have the approvals and certifications needed to compete and ship virtually worldwide.

**All Dongan Disconnects are UL Listed and Canadian UL Listed. UL File E185781.**

In addition, all series, except Series TDG12, ADL, and ADL12, are CE Marked and Licensed for the European Union "T" Mark under the EN60204-6/30-06 Safety of Machinery Standard. These Disconnects have undergone extensive testing and certification by TÜV Rheinland and Underwriters Labs.

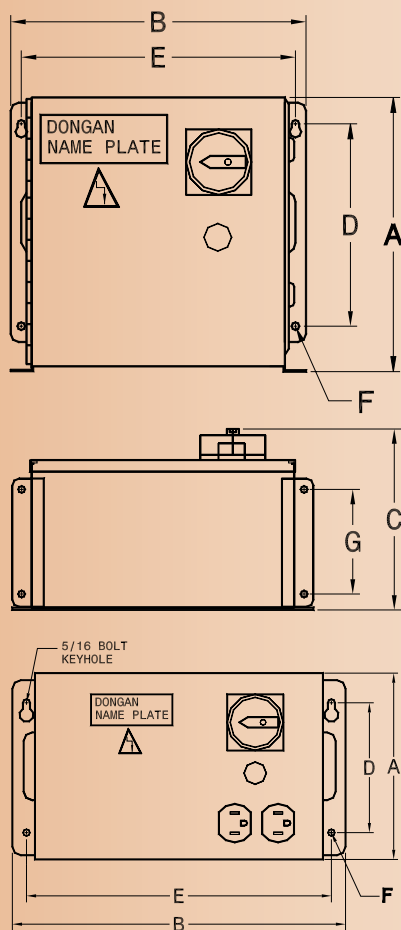
**With Dongan Disconnects, approvals are built in - not a high cost option.**

Dongan Disconnects are manufactured in 11 distinct series with features to meet all your transformer lighting disconnect needs:



- NEMA 1/IP23 and NEMA 12/IP54/IP65 enclosure styles.
- Domestic and multitap European voltage combinations.
- Finger - Safe fuses and transformer terminals.
- CE Marked, TÜV Bauart Marked, copper wound transformers.
- European and domestic color coded labels and switches.
- Custom designs through 15 kVA and Remote Transformer Mount models available.
- Dongan Transformer Disconnects comply with automotive specifications.

Extensive third party approvals provide great flexibility in design variation. Contact your Dongan distributor, your Dongan Representative or the factory if the voltage combination, or configuration needed is not shown in this catalog. We would be glad to share our specialty design programs with you to provide disconnects matching the precise specifications required.



## NOTE:

- Dimensions and weights may vary. Please consult factory for certified drawings.



# Transformer Lighting Disconnect

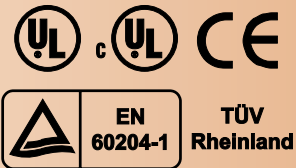
## Series TDL

Transformer VA Capacity	Dongan Catalog No.	Pri. Max Amps	Pri. Fuse Size F1 & F2	Sec. Max Amps	Sec. Fuse Size F3*	Max Lighting Amps	Max Duplex Amps	Sec. Fuse Size F4	Approx. Weight Lbs.
250	<b>TDL-130</b>	.52	1.5	2.08	2.25	2.08	—	—	27
500	<b>TDL-170</b>	1.04	3.0	4.17	4.5	4.17	—	—	35
750	<b>TDL-190</b>	1.56	4.5	6.25	6.25	6.25	—	—	45
1000	<b>TDL-200</b>	2.08	3.25	8.33	2.0	2.00	6.33	7.0	49
1500	<b>TDL-210</b>	3.13	5.0	12.50	5.0	5.00	7.50	8.0	55
2000	<b>TDL-230</b>	4.17	6.25	16.67	10.0	9.00	7.50	8.0	69
3000	<b>TDL-250</b>	6.25	10.0	25.00	10.0	10.00	15.00	15.0	82

## Features

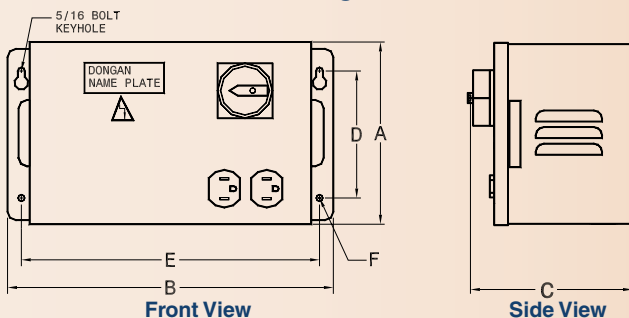
- NEMA 1 / IP 23 enclosure.
- Primary Voltage: 480 VAC.
- Secondary Voltage: 120 VAC.
- 50 / 60 Hz.
- One side of secondary grounded.
- Transformer is copper wound with electrostatic shield (earth metal screen).
- Finger-safe terminals.
- All overcurrent protection provided:
  - Primary - Class CC
  - Secondary - Supplementary fuses (13/32" x 1 1/2").
- Complies with automotive industry specifications.
- 3 position, padlockable cam switch.
- Duplex receptacle provided on 1000 VA through 3000 VA, optional on 250 VA - 750 VA.
- Dedicated physical earth terminal.
- Bonded door ground stud.
- Options: Green, "ON" pilot light available as additional cost option. Other voltage combinations available.
- 15 KAIC rating (See options for higher rating).

### Agency Compliance

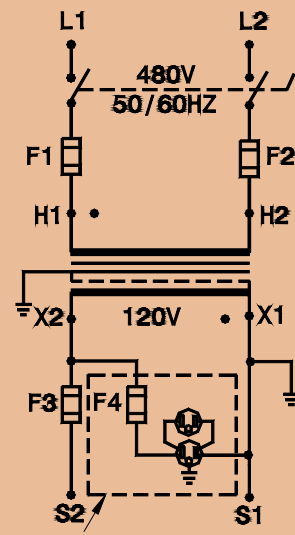


Dimensions						
VA	A	B	C	D	E	F
250 - 2000	9.00	14.75	9.13	5.75	13.75	.340
3000	10.75	14.75	9.13	5.75	13.75	.340

### Series TDL Outline Drawings



### Series TDL Schematic Drawing



Receptacle Supplied on 1 kVA and Larger

\* F3 fuse size will vary if receptacle provided

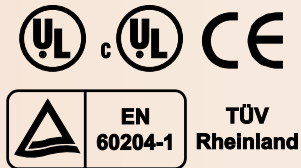
## Series TDL12

Transformer VA Capacity	Dongan Catalog No.	Pri. Max Amps	Pri. Fuse Size F1 & F2	Sec. Max Amps	Sec. Fuse Size F3*	Max Lighting Amps	Max Receptacle Amps	Sec. Fuse Size F4	Approx. Weight Lbs.
250	<b>TDL12-130</b>	.52	1.5	2.08	2.25	2.08	—	—	29
500	<b>TDL12-170</b>	1.04	3.0	4.17	4.5	4.17	—	—	37
750	<b>TDL12-190</b>	1.56	4.5	6.25	6.25	6.25	—	—	47
1000	<b>TDL12-200</b>	2.08	3.25	8.33	9.0	8.33	—	—	51
1500	<b>TDL12-210</b>	3.13	5.0	12.50	15.0	12.50	—	—	57
2000	<b>TDL12-230</b>	4.17	6.25	16.67	20.0	16.67	—	—	71
3000	<b>TDL12-250</b>	6.25	10.0	25.00	25.0	25.00	—	—	96

## Features

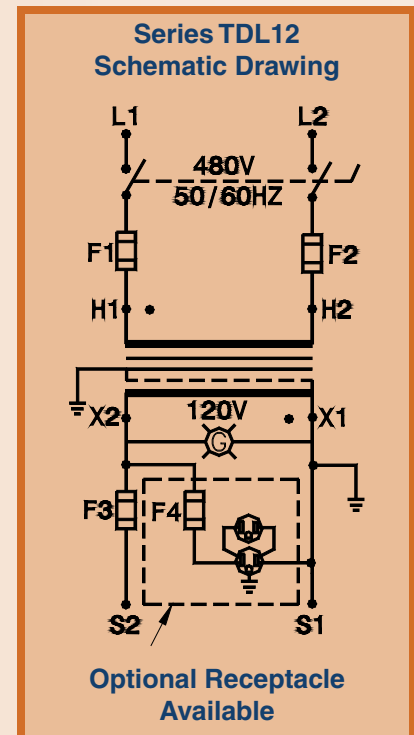
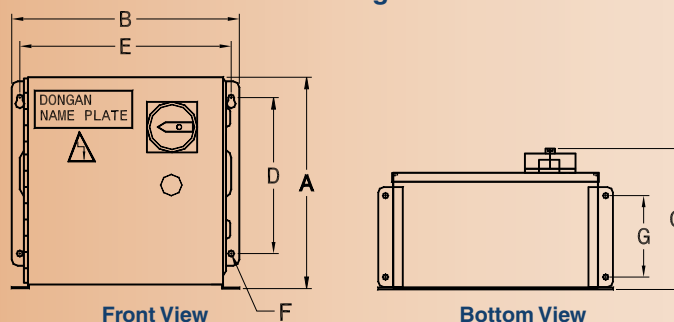
- NEMA 12 / IP 54 enclosure.
- Primary Voltage: 480 VAC.
- Secondary Voltage: 120 VAC.
- 50 / 60 Hz.
- One side of secondary grounded.
- Transformer is copper wound with electrostatic shield (earth metal screen).
- Finger-safe terminals.
- All overcurrent protection provided:
  - Primary - Class CC
  - Secondary - Supplementary fuses (13/32" x 1 1/2").
- Complies with automotive industry specifications.
- 3 position, padlockable cam switch.
- Gasketed receptacle available as an added cost option on all sizes.
- Green "ON" pilot light provided.
- Dedicated physical earth terminal.
- Bonded door ground stud.
- Options: Other voltage combinations available.
- 15 KAIC rating (See options for higher rating).

### Agency Compliance



Dimensions							
VA	A	B	C	D	E	F	G
250 - 2000	12.75	14.00	9.38	9.38	13.00	.340	4.63
3000	15.19	18.00	11.38	11.50	17.00	.410	7.50

### Series TDL12 Outline Drawings



\* F3 fuse size will vary if receptacle provided

## Series TDE

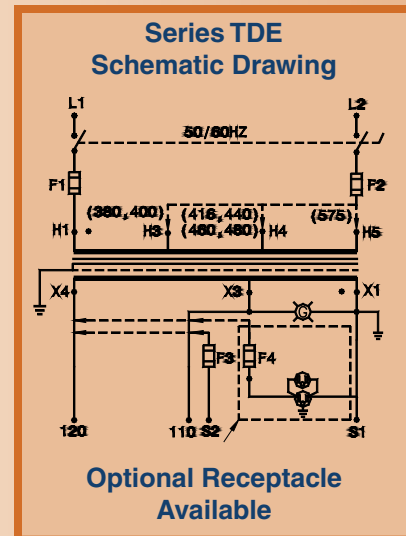
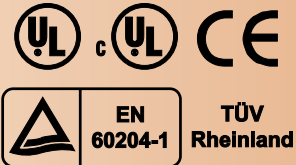
Transformer VA Capacity	Dongan Catalog No.	Pri. Max Amps 380 V†	Sec. Max Amps	Sec. Fuse Size F3*	Max Lighting Amps	Max Duplex Amps	Sec. Fuse Size F4	Approx. Weight Lbs.
250	<b>TDE-130</b>	.66	2.08	2.25	2.08	—	—	31
500	<b>TDE-170</b>	1.32	4.17	4.5	4.17	—	—	35
750	<b>TDE-190</b>	1.97	6.25	6.25	6.25	—	—	45
1000	<b>TDE-200</b>	2.63	8.33	9.0	8.33	—	—	49
1500	<b>TDE-210</b>	3.95	12.50	15.0	12.50	—	—	55
2000	<b>TDE-230</b>	5.26	16.67	20.0	16.67	—	—	69
3000	<b>TDE-250</b>	7.90	25.00	25.0	25.00	—	—	86

† Primary max amps for other voltages may be obtained by dividing VA capacity by line voltage.

## Features

- NEMA 1 / IP 23 enclosure.
  - Primary Voltage: 380/400/416/440/460/480/575 VAC.
  - Secondary Voltage: 110/115/120 VAC.
  - 50 / 60 Hz.
  - One side of secondary grounded.
  - Transformer is copper wound with electrostatic shield (earth metal screen).
  - Finger-safe terminals.
  - 3 position, padlockable cam switch.
  - Overcurrent protection provided:
- Primary - Class CC Fuse holders only.
  - Secondary - Supplementary fuses (13/32" x 1 1/2").
  - Duplex receptacle available as an added cost option on all sizes.
  - Green "ON" pilot light provided.
  - Dedicated physical earth terminal.
  - Bonded door ground stud.
  - Options: Other voltage combinations available.
  - 15 KAIC rating (See options for higher rating).

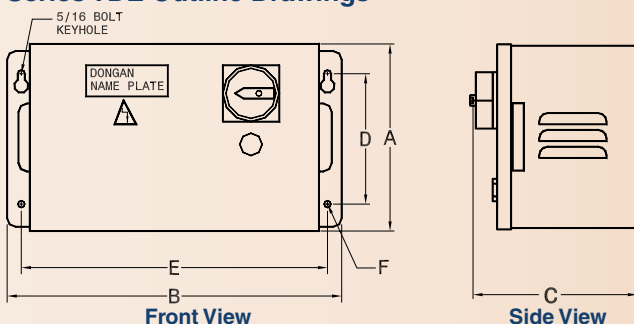
### Agency Compliance



### Dimensions

VA	A	B	C	D	E	F
250 - 2000	9.00	14.75	9.13	5.75	13.75	.340
3000	10.75	14.75	9.13	5.75	13.75	.340

### Series TDE Outline Drawings



\* F3 fuse size will vary if receptacle provided

## Series TDE12

Transformer VA Capacity	Dongan Catalog No.	Pri. Max Amps 380 V†	Sec. Max Amps	Sec. Fuse Size F3*	Max Lighting Amps	Max Receptacle Amps	Sec. Fuse Size F4	Approx. Weight Lbs.
250	<b>TDE12-130</b>	0.66	2.08	2.25	2.08	—	—	33
500	<b>TDE12-170</b>	1.32	4.17	4.5	4.17	—	—	37
750	<b>TDE12-190</b>	1.97	6.25	6.25	6.25	—	—	47
1000	<b>TDE12-200</b>	2.63	8.33	9.0	8.33	—	—	51
1500	<b>TDE12-210</b>	3.95	12.50	15.0	12.50	—	—	57
2000	<b>TDE12-230</b>	5.26	16.67	20.0	16.67	—	—	71
3000	<b>TDE12-250</b>	7.90	25.00	25.0	25.00	—	—	100

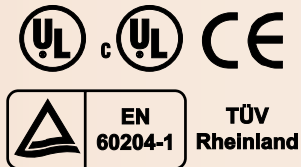
† Primary max amps for other voltages may be obtained by dividing VA capacity by line voltage.

## Features

- NEMA 12 / IP 54 enclosure.
- Primary Voltage: 380/400/416/440/460/480/575 VAC.
- Secondary Voltage: 110/115/120 VAC.
- 50 / 60 Hz.
- One side of secondary grounded.
- Transformer is copper wound with electrostatic shield (earth metal screen).
- Finger-safe terminals.
- 3 position, padlockable cam switch.
- Overcurrent protection provided:

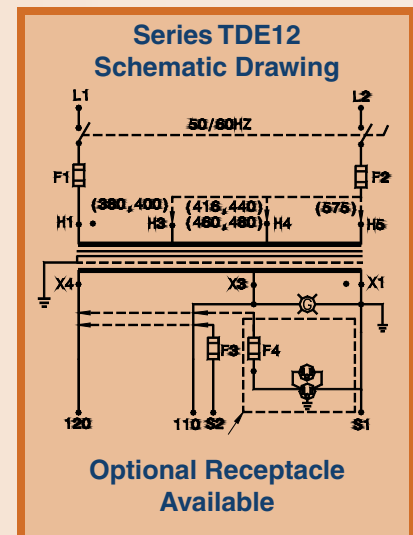
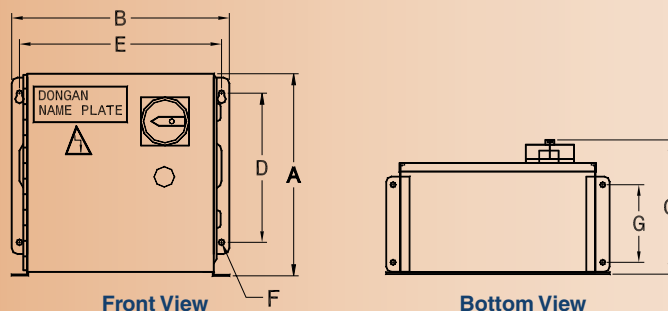
- Primary - Class CC Fuse holders only.
- Secondary - Supplementary fuses (13/32" x 1 1/2").
- Gasketed receptacle available as an added cost option on all sizes.
- Green iON™ pilot light provided.
- Dedicated physical earth terminal.
- Bonded door ground stud.
- Options: Other voltage combinations available.
- 15 KAIC rating (See options for higher rating).

### Agency Compliance



Dimensions							
VA	A	B	C	D	E	F	G
250 - 2000	12.75	14.00	9.38	9.38	13.00	.340	4.63
3000	15.19	18.00	11.38	11.50	17.00	.410	7.50

### Series TDE12 Outline Drawings



\* F3 fuse size will vary if receptacle provided





# Transformer Disconnect - Auxiliary Power

## Series TDA

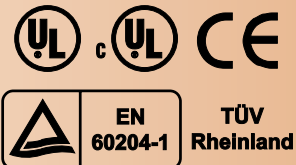
Transformer VA Capacity	Dongan Catalog No.	Pri. Max Amps	Pri. Fuse Size F1 & F2	Sec. Max Amps*	Max Lighting Amps	Max Duplex Amps	Approx. Weight Lbs.
500	<b>TDA-170</b>	1.04	3.0	4.17	—	—	35
750	<b>TDA-190</b>	1.56	4.5	6.25	—	—	45
1000	<b>TDA-200</b>	2.08	3.25	8.33	—	—	49
1500	<b>TDA-210</b>	3.13	5.0	12.50	—	—	55
2000	<b>TDA-230</b>	4.17	6.25	16.67	2.00	15.00	69
3000	<b>TDA-250</b>	6.25	10.0	25.00	10.00	15.00	82

\* Lighting amps and Max. duplex amps must not exceed total secondary max amps when used simultaneously.

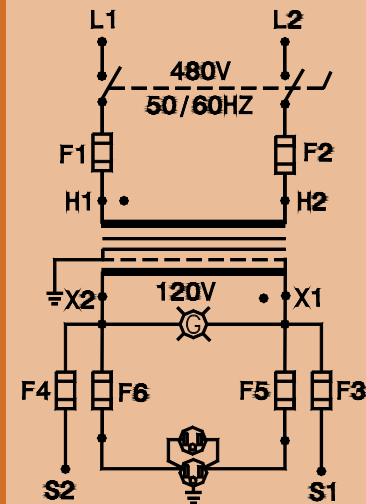
## Features

- NEMA 1 / IP 23 enclosure.
- Primary Voltage: 480 VAC.
- Secondary Voltage: 120 VAC.
- 50 / 60 Hz.
- Both sides of secondary isolated from ground.
- Transformer is copper wound with electrostatic shield (earth metal screen).
- Finger-safe terminals.
- Primary overcurrent protection provided:  
Primary - Class CC  
Secondary fuse holders only for 13/32" x 1 1/2" fuses.
- Complies with automotive industry specifications.
- 3 position, padlockable cam switch.
- Duplex receptacle provided on all sizes.
- Green "ON" pilot light provided.
- Dedicated physical earth terminal.
- Bonded door ground stud.
- Options: Other voltage combinations available.
- 15 KAIC rating  
(See options for higher rating).

### Agency Compliance



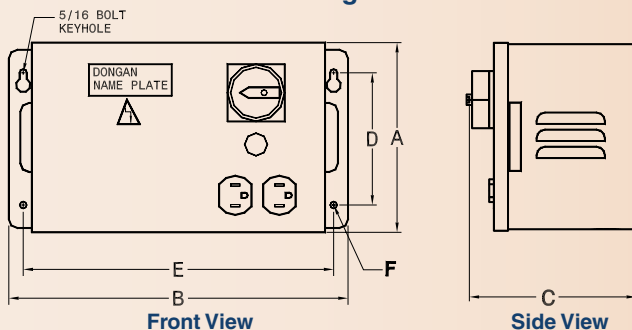
### Series TDA Schematic Drawing



### Dimensions

VA	A	B	C	D	E	F
500 - 2000	9.00	14.75	9.13	5.75	13.75	.340
3000	10.75	14.75	9.13	5.75	13.75	.340

### Series TDA Outline Drawings



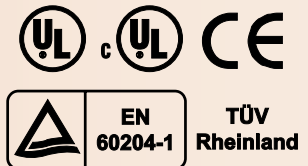
## Series TDA12

Transformer VA Capacity	Dongan Catalog No.	Pri. Max Amps	Pri. Fuse Size F1 & F2	Sec. Max Amps	Sec. Fuse Size F3* & F4	Max Lighting Amps	Max Receptacle Amps	Approx. Weight Lbs.
500	<b>TDA12-170</b>	1.04	3.0	4.17	4.5	4.16	—	37
750	<b>TDA12-190</b>	1.56	4.5	6.25	6.25	6.25	—	47
1000	<b>TDA12-200</b>	2.08	3.25	8.33	9.0	8.33	—	51
1500	<b>TDA12-210</b>	3.13	5.0	12.50	15.0	12.50	—	57
2000	<b>TDA12-230</b>	4.17	6.25	16.67	20.0	16.66	—	71
3000	<b>TDA12-250</b>	6.25	10.0	25.00	25.0	25.00	—	96

## Features

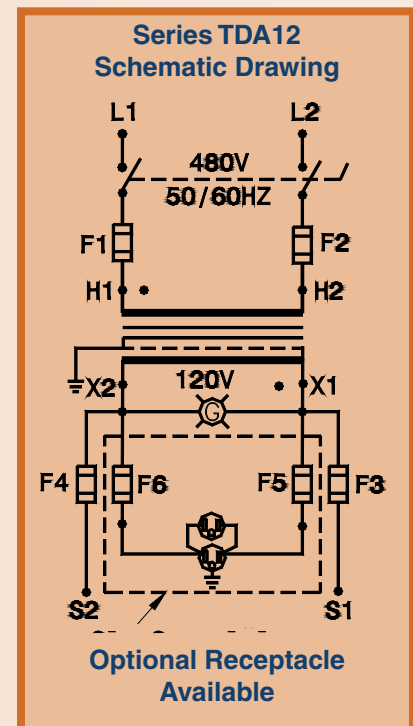
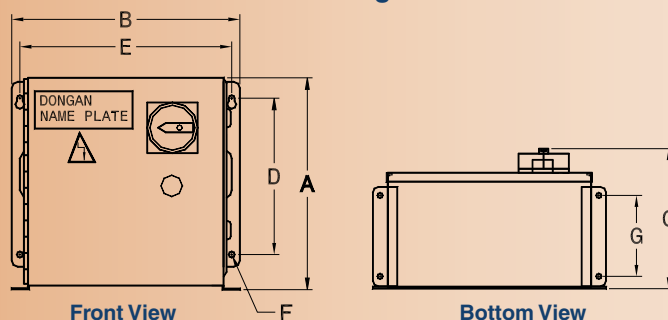
- NEMA 12 / IP 54 enclosure.
- Primary Voltage: 480 VAC.
- Secondary Voltage: 120 VAC.
- 50 / 60 Hz.
- Both sides of secondary isolated from ground.
- Transformer is copper wound with electrostatic shield (earth metal screen).
- Finger-safe terminals.
- All overcurrent protection provided:
  - Primary - Class CC
  - Secondary - Supplementary fuses (13/32" x 1 1/2").
- Complies with automotive industry specifications.
- 3 position, padlockable cam switch.
- Gasketed receptacle available as an added cost option on all sizes.
- Green "ON" pilot light provided.
- Dedicated physical earth terminal.
- Bonded door ground stud.
- Options: Other voltage combinations available.
- 15 KAIC rating (See options for higher rating).

### Agency Compliance



Dimensions							
VA	A	B	C	D	E	F	G
500 - 2000	12.75	14.00	9.38	9.38	13.00	.340	4.63
3000	15.19	18.00	11.38	11.50	17.00	.410	7.50

### Series TDA12 Outline Drawings



\* F3 fuse size will vary if receptacle provided



# Dual Secondary Transformer Lighting Disconnect

## Series TLA

Transformer VA Capacity	Dongan Catalog No.	Pri. Max Amps	Pri. Fuse Size F1 & F2	Secondary 1			Secondary 2			Approx. Weight Lbs.
				Sec. One VA Capacity	Sec. One Max Amps	Sec. One Fuse Size F3* & F4	Sec. Two VA Capacity	Sec. Two Max Amps	Sec. Two Fuse Size F5	
1000	TLA-170170	2.08	5.0	500	4.17	4.5	500	4.17	4.5	49
1500	TLA-200170	3.13	5.0	1000	8.33	9.0	500	4.17	4.5	55
1500	TLA-190190	3.13	5.0	750	6.25	6.25	750	6.25	6.25	55
1500	TLA-170200	3.13	5.0	500	4.17	4.5	1000	8.33	9.0	55
1750	TLA-190200	3.64	6.0	750	6.25	6.25	1000	8.33	9.0	69
3000	TLA-200230	6.25	10.0	1000	8.33	9.0	2000	16.67	20.0	82
3750	TLA-190250	7.81	12.0	750	6.25	6.25	3000	25.00	25.0	84
4000	TLA-200250	8.33	12.0	1000	8.33	9.0	3000	25.00	25.0	86

## Features

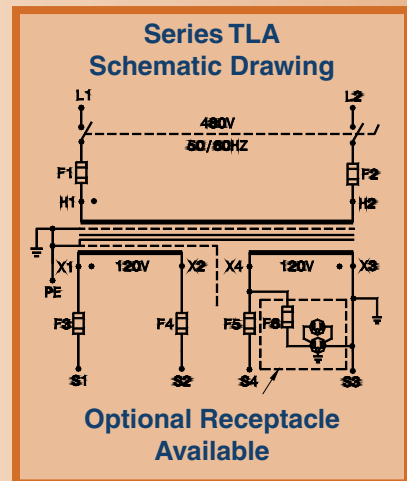
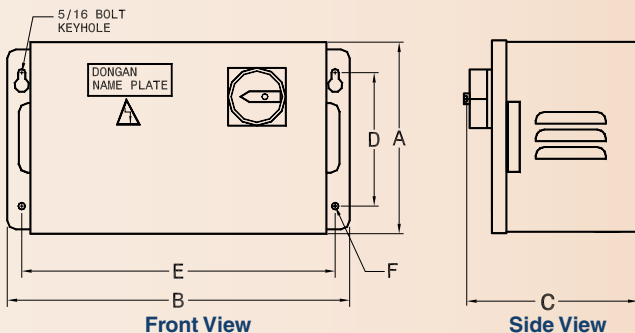
- NEMA 1 / IP 23 enclosure.
- Primary Voltage: 480 VAC.
- 50 / 60 Hz.
- Secondary One: 120 VAC.
- Secondary Two: 120 VAC.
- Disconnect features dual isolated secondaries for load isolation.
- Secondary One: Both sides ungrounded.
- Secondary Two: One side grounded.
- 3 position, padlockable cam switch.
- Transformer is copper wound with electrostatic shield (earth metal screen) between primary and secondary and between secondary one and secondary two.
- Finger-safe terminals.
- All overcurrent protection provided:
  - Primary - Class CC
  - Secondary - Supplementary fuses (13/32" x 1 1/2").
- Duplex receptacle optional on all sizes.
- Green "ON" pilot light optional on all sizes.
- Dedicated physical earth terminal.
- Bonded door ground stud.
- Other options: Other voltage combinations available.
- 15 KAIC rating (See options for higher rating).

### Agency Compliance



Dimensions						
VA	A	B	C	D	E	F
1000 - 1750	9.00	14.75	9.13	5.75	13.75	.340
3000 - 4000	10.75	14.75	9.13	5.75	13.75	.340

### Series TLA Outline Drawings



\* F3 fuse size will vary if receptacle provided

# Dual Secondary Transformer Lighting Disconnect



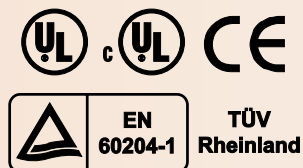
## Series TLA12

Transformer VA Capacity	Dongan Catalog No.	Pri. Max Amps	Pri. Fuse Size F1 & F2	Secondary 1			Secondary 2			Approx. Weight Lbs.
				Sec. One VA Capacity	Sec. One Max Amps	Sec. One Fuse Size F3* & F4	Sec. Two VA Capacity	Sec. Two Max Amps	Sec. Two Fuse Size F5	
1000	TLA12-170170	2.08	5.0	500	4.17	4.5	500	4.17	4.5	51
1500	TLA12-200170	3.13	5.0	1000	8.33	9.0	500	4.17	4.5	57
1500	TLA12-190190	3.13	5.0	750	6.25	6.25	750	6.25	6.25	57
1500	TLA12-170200	3.13	5.0	500	4.17	4.5	1000	8.33	9.0	57
1750	TLA12-190200	3.64	6.0	750	6.25	6.25	1000	8.33	9.0	71
3000	TLA12-200230	6.25	10.0	1000	8.33	9.0	2000	16.67	20.0	96
3750	TLA12-190250	7.81	12.0	750	6.25	6.25	3000	25.00	25.0	98
4000	TLA12-200250	8.33	12.0	1000	8.33	9.0	3000	25.00	25.0	100

## Features

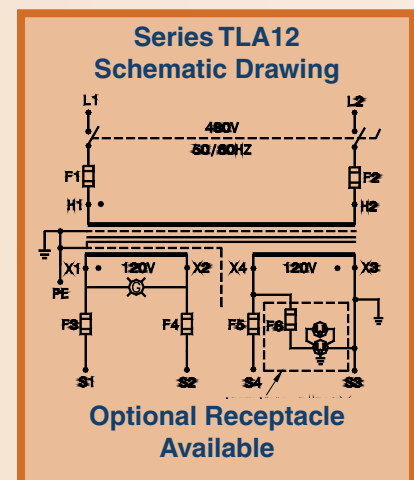
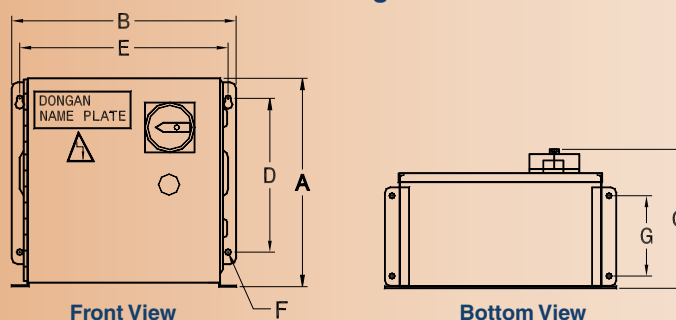
- NEMA 12 / IP 54 enclosure.
- Primary Voltage: 480 VAC.
- 50 / 60 Hz.
- Secondary One: 120 VAC.
- Secondary Two: 120 VAC.
- Disconnect features dual isolated secondaries for load isolation.
- Secondary One: Both sides ungrounded.
- Secondary Two: One side grounded.
- Finger-safe terminals.
- Transformer is copper wound with electrostatic shield (earth metal screen) between primary and secondary and between secondary one and secondary two.
- 3 position, padlockable cam switch.
- All overcurrent protection provided:
  - Primary - Class CC
  - Secondary - Supplementary fuses (13/32" x 1 1/2").
- Green "ON" pilot light provided.
- Gasketed receptacle optional on all sizes.
- Dedicated physical earth terminal.
- Bonded door ground stud.
- Other options: Other voltage combinations available.
- 15 KAIC rating (See options for higher rating).

### Agency Compliance



Dimensions							
VA	A	B	C	D	E	F	G
1000 - 1750	12.75	14.00	9.38	9.38	13.00	.340	4.63
3000 - 4000	15.19	18.00	11.38	11.50	17.00	.410	7.50

### Series TLA12 Outline Drawings



\* F3 fuse size will vary if receptacle provided

## Series ADL

Transformer VA Capacity	Dongan Catalog No.	Pri. Max Amps	Pri. Fuse Size F1 & F2	Sec. Max Amps	Sec. Fuse Size F3*	Max Lighting Amps	Max Duplex Amps	Sec. Fuse Size F4	Approx. Weight Lbs.
250	<b>ADL-130</b>	.52	1.5	2.08	2.25	2.08	—	—	27
500	<b>ADL-170</b>	1.04	3.0	4.17	4.5	4.17	—	—	31
750	<b>ADL-190</b>	1.56	4.5	6.25	6.25	6.25	—	—	35
1000	<b>ADL-200</b>	2.08	3.2	8.33	2.0	2.08	6.33	7.0	44
1500	<b>ADL-210</b>	3.13	5.0	12.50	5.0	5.00	7.50	8.0	49
2000	<b>ADL-230</b>	4.17	6.25	16.67	10.0	9.00	7.50	8.0	56
3000	<b>ADL-250</b>	6.25	10.0	25.00	10.0	10.00	15.00	15.0	69

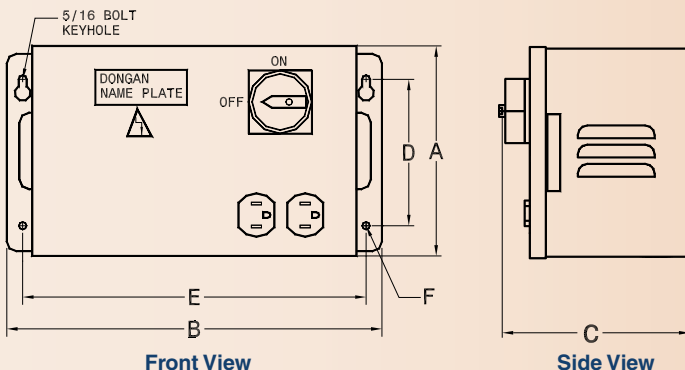
## Features

- NEMA 1 / IP 23 enclosure
- Primary Voltage: 480 VAC
- Secondary Voltage: 120 VAC.
- 60 Hz.
- One side of secondary grounded.
- Transformer is copper wound with electrostatic shield (earth metal screen).
- Finger-safe terminals.
- All overcurrent protection provided:
  - Primary - Class CC
  - Secondary - Supplementary fuses (13/32" x 1 1/2").
- Complies with automotive industry specifications.
- 3 position, padlockable cam switch.
- Duplex receptacle provided on 1000 VA through 3000 VA, optional on 250 VA - 750 VA.
- Dedicated physical earth terminal.
- Bonded door ground stud.
- Options: Green or red "ON" pilot light available as additional cost option. Other voltage combinations available.
- 15 KAIC rating (See options for higher rating).

### Dimensions

VA	A	B	C	D	E	F
250 - 3000	9.00	14.75	9.13	5.75	13.75	.340

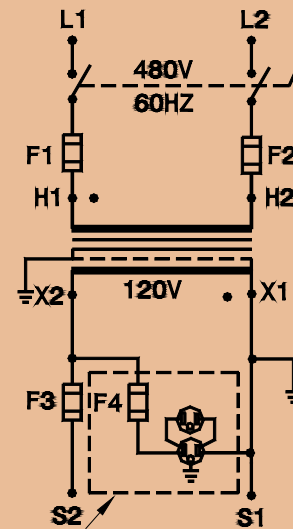
### Series ADL Outline Drawings



### Agency Compliance



### Series ADL Schematic Drawing



Receptacle Supplied on 1 kVA and Larger

\* F3 fuse size will vary if receptacle provided

## Series ADL12

Transformer VA Capacity	Dongan Catalog No.	Pri. Max Amps	Pri. Fuse Size F1 & F2	Sec. Max Amps	Sec. Fuse Size F3*	Max Lighting Amps	Max Receptacle Amps	Sec. Fuse Size F4	Approx. Weight Lbs.
250	<b>ADL12-130</b>	.52	1.5	2.08	2.25	2.08	—	—	29
500	<b>ADL12-170</b>	1.04	3.0	4.17	4.5	4.17	—	—	33
750	<b>ADL12-190</b>	1.56	4.5	6.25	6.25	6.25	—	—	37
1000	<b>ADL12-200</b>	2.08	3.2	8.33	9.0	8.33	—	—	46
1500	<b>ADL12-210</b>	3.13	5.0	12.50	15.0	12.50	—	—	51
2000	<b>ADL12-230</b>	4.16	6.25	16.67	20.0	16.67	—	—	58
3000	<b>ADL12-250</b>	6.25	10.0	25.00	25.0	25.00	—	—	71

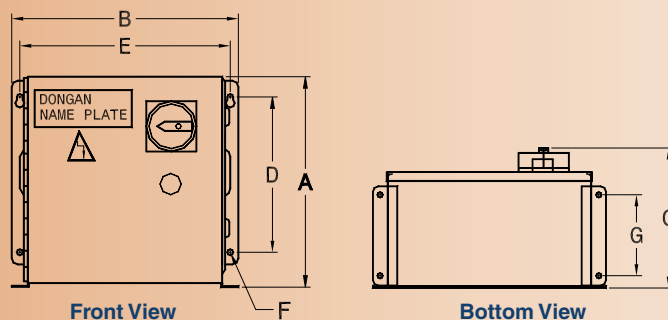
## Features

- NEMA 12 / IP 54 enclosure.
- Primary Voltage: 480 VAC.
- Secondary Voltage: 120 VAC.
- 60 Hz.
- One side of secondary grounded.
- Transformer is copper wound with electrostatic shield (earth metal screen).
- Finger-safe terminals.
- Complies with automotive industry specifications.
- 3 position, padlockable cam switch.
- All overcurrent protection provided:
- Primary - Class CC
- Secondary - Supplementary fuses (13/32" x 1 1/2").
- Gasketed receptacle available as additional cost option.
- Green "ON" pilot light provided.
- Dedicated physical earth terminal.
- Bonded door ground stud.
- Options: Other voltage combinations are available. Red "ON" pilot light available.
- 15 KAIC rating (See options for higher rating).

### Dimensions

VA	A	B	C	D	E	F	G
250 - 3000	12.75	14.00	9.38	9.38	13.00	.340	4.63

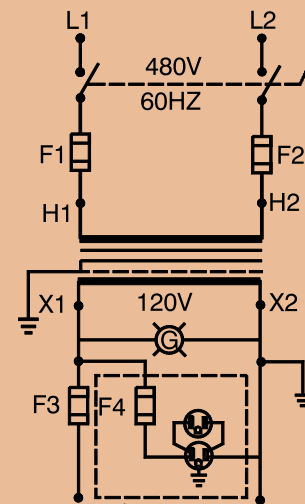
### Series ADL12 Outline Drawings



### Agency Compliance



### Series ADL12 Schematic Drawing



Optional Receptacle Available

\* F3 fuse size will vary if receptacle provided



# Large VA Capacity Transformer Lighting Disconnect

## Series TDG12

Transformer VA Capacity	Dongan Catalog No.	Pri. Max Amps	Pri. Fuse Size F1 & F2	Sec. Max Amps	Sec. Fuse Size F3*	Sec. Fuse Size with Receptacle F3*	Sec. Fuse Size with Receptacle F4	Approx. Weight Lbs.
5000	<b>TDG12-300</b>	10.41	15.0	41.66	45.0	35.0	6.0	125
7500	<b>TDG12-330</b>	15.62	25.0	60.00	60.0	50.0	10.0	150

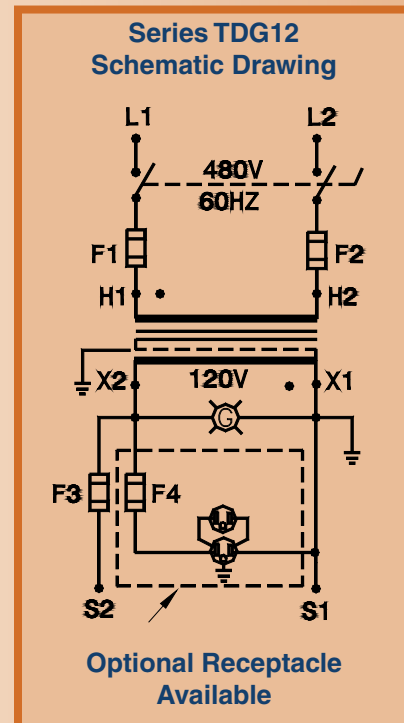
## Features

- NEMA 12 / IP 54 enclosure.
- Primary Voltage: 480 VAC.
- Secondary Voltage: 120 VAC.
- 60 Hz.
- Large capacity - 5000 VA and 7500 VA.
- One side of secondary grounded.
- Transformer is copper wound with electrostatic shield (earth metal screen).
- Finger-safe terminals.
- 3 position, padlockable cam switch.
- Green "ON" pilot light provided.
- All overcurrent protection provided:  
Primary - Class CC  
Secondary - Supplementary fuses (1 1/16" x 2 3/8").
- Gasketed duplex receptacle available as additional cost option.
- Dedicated physical earth terminal.
- Bonded door ground stud.
- Options: Other voltage combinations available.
- Custom sizes to 15 kVA available.
- 15 KAIC rating (See options for higher rating).

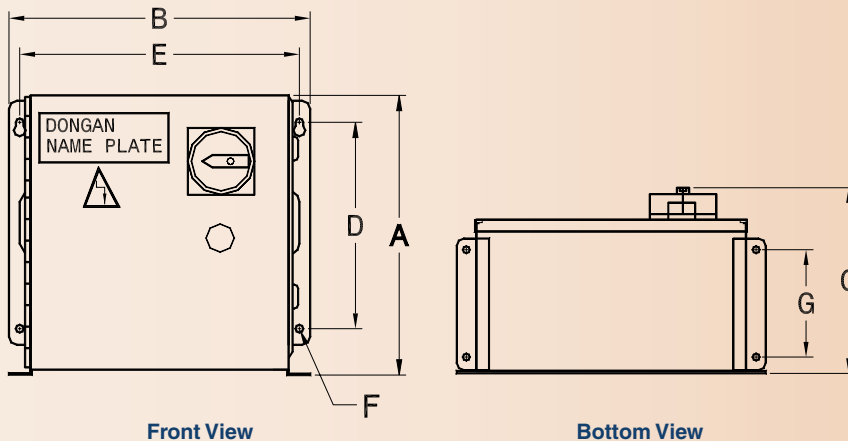
### Agency Compliance



Dimensions							
VA	A	B	C	D	E	F	G
5000 - 7500	15.19	18.00	11.50	11.50	17.00	.410	7.50



### Series TDG12 Outline Drawings



\* F3 fuse size will vary if receptacle provided

# Compact Transformer Lighting Disconnects



## Series TMA, TMB and TMC

The Dongan Compact Series Transformer Lighting Disconnects are designed to minimize backplate footprints to save valuable control panel space. The Compact Series are available in three standard circuits with four VA sizes for each circuit configuration. Epoxy encapsulated, the Compact Series offers cool operating temperatures, a green "ON" pilot light, and circuit options that include a duplex receptacle as well as grounded and ungrounded secondaries.

Transformer VA Capacity	Dongan Catalog No.	Circuit Style	Pri. Max Amps	Pri. Fuse Size F1 & F2	Sec. Max Amps	Sec. Fuse Size F3*	Max Lighting Amps	Max Duplex Amps	Sec. Fuse Size F4	Approx. Weight Lbs.
250	<b>TMA-130</b>	A	.52	1.5	2.08	††	†	†	††	15
500	<b>TMA-170</b>	A	1.04	3.0	4.17	††	†	†	††	20
750	<b>TMA-190</b>	A	1.56	4.5	6.25	††	†	†	††	25
1000	<b>TMA-200</b>	A	2.08	6.0	8.33	††	†	†	††	30
250	<b>TMB-130</b>	B	.52	1.5	2.08	2.25	2.08	—	—	15
500	<b>TMB-170</b>	B	1.04	3.0	4.17	4.5	4.17	—	—	20
750	<b>TMB-190</b>	B	1.56	4.5	6.25	6.25	6.25	—	—	25
1000	<b>TMB-200</b>	B	2.08	6.0	8.33	9.0	8.33	—	—	30
250	<b>TMC-130</b>	C	.52	1.5	2.08	2.25	2.08	—	2.25	15
500	<b>TMC-170</b>	C	1.04	3.0	4.17	4.5	4.17	—	4.5	20
750	<b>TMC-190</b>	C	1.56	4.5	6.25	6.25	6.25	—	6.25	25
1000	<b>TMC-200</b>	C	2.08	6.0	8.33	9.0	8.33	—	9.0	30

† Total of lighting amps and duplex amps must not exceed secondary amp rating.  
 †† Fuse sizes of F3 and F4 are based on the load and maximum secondary amps.

\* **F3 fuse size will vary if receptacle provided**

## Features

- NEMA 1 / IP 23 enclosure.
- Primary Voltage: 480 VAC.
- Secondary Voltage: 120 VAC.
- 60 Hz.
- Compact, panel space-saving design.
- Choice of three circuit designs.
- Transformer is copper wound with electrostatic shield (earth metal screen).
- Finger-safe terminals.
- 3 position, padlockable cam switch.
- Green "ON" pilot light provided.
- Primary overcurrent protection provided:  
Primary - Class CC
- Dedicated physical earth terminal.
- Bonded door ground stud.
- Options: Other voltage combinations available.
- Complies with automotive industry specifications.
- 15 KAIC rating  
(See options for higher rating).

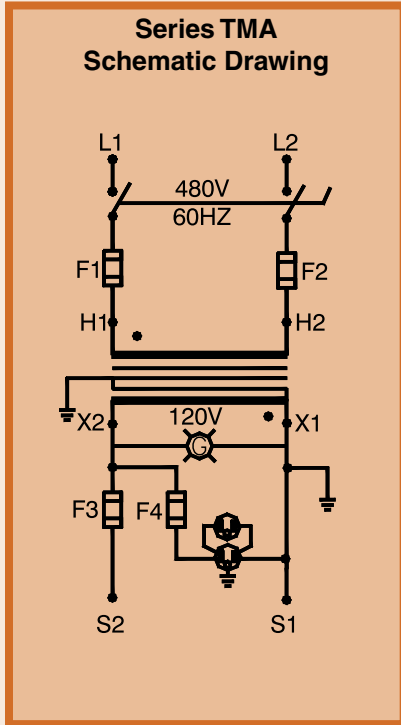


Please contact your Dongan Representative or our offices for literature on the full line of Dongan Disconnects, Transformers and other products.

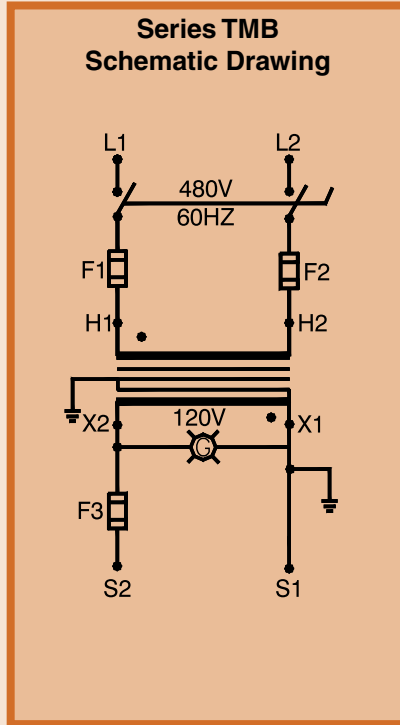


## Circuit Configurations

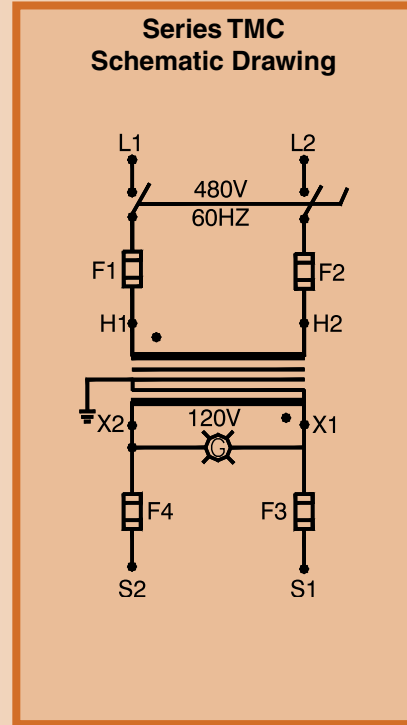
Agency Compliance



Agency Compliance

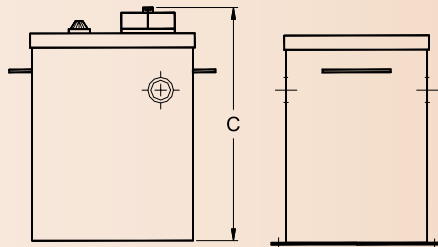
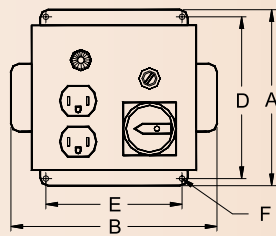


Agency Compliance

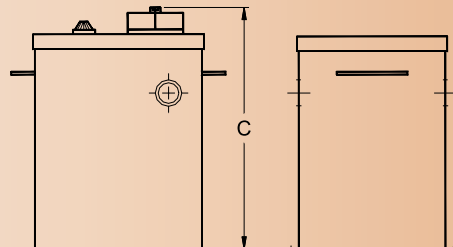
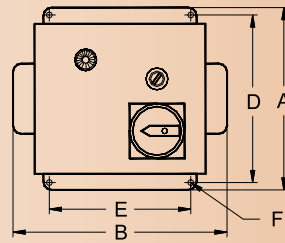


### Dimensions

VA	A	B	C	D	E	F
250 - 1000	7.50	8.75	10.38	6.88	6.0	.250



**Series TMA Dimensions**



**Series TMB & TMC Dimensions**

## Series TDFM12

Dongan TDFM12 series is a flange mount lighting disconnect in a NEMA 12 enclosure. The enclosure has provisions for side mounting or base mounting. This is used predominantly in automotive plants. Standard voltage is 480 to 120.

### Features

- Sizes from 1000-3000VA
- Power-on pilot light
- All overcurrent protection provided
- Lockable Allen Bradley 30 amp switch
- Continuous welded seams
- Hinged door with gasketing
- Special voltages available
- Other options- consult factory

VA RATING	CATALOG NUMBER	WEIGHT (LBS)
1000	<b>TDFM12-200</b>	50
1500	<b>TDFM12-210</b>	63
2000	<b>TDFM12-230</b>	70
3000	<b>TDFM12-250</b>	75



#### General Purpose Dry Type Distribution Single Phase, Three Phase, Buck Boost, Motor Drive Isolation, Custom Designs

- Single Phase, 50 VA - 100 kVA  
- *Series 35, 80, 85, 61*
- Three Phase, 3 kVA - 150 kVA  
- *Series 63, 76*
- Buck - Boost, 50 VA - 5 kVA  
- *Series 35, 80, 85*
- Motor Drive Isolation, 3 kVA - 145 kVA  
- *Series 63*
- CE Marked Single and Three Phase Units  
- *Series ES-11, Series ES-31*
- K Factor, 15 kVA - 150 kVA  
- *Series TK*
- Custom Designs  
- *Core and Coil Designs*  
- *Autotransformers*  
- *UL and CSA Family Approvals*

#### Industrial Control Transformers, Servo Drive Isolation Transformers

- Century Series 50 - 1000 VA  
*102, 103, 107, 109*  
*Primary Installed Fuse Available*
- Series 50, Screw Terminals  
- *Domestic Suffix 052, 053, 054, 056, 134*  
- *Export Suffix 058, 059*
- Series HC, Molded Terminals  
- *Suffix -41, -44, -46, -47*
- Series HC, Molded Terminals w/ Preconnected Fuse Holders  
- *Suffix -4100, -4400*
- CE Marked Units - Series ES-10  
- *Suffix .326, .366, .376, .386*
- Servo Drive Isolation Transformers  
- *Allen Bradley Type 1388*  
- *Other Manufacturers Available*
- Custom Designs  
- *UL and CSA Family Approvals*



## EU Declaration of Conformity

### Declaration of Conformity

According to EN/IEC 60 204-1

Manufacturer's Name: **Dongan Electric Mfg. Company**

Manufacturer's Address: **2987 Franklin Street  
Detroit, Michigan 48207  
U.S.A.**

Dongan Electric Mfg. Company declares that the product prefixes cited below:

Model Numbers:	<b>Series TDL</b>	<b>Series TDL12</b>
	<b>Series TDE</b>	<b>Series TDE12</b>
	<b>Series TDA</b>	<b>Series TDA12</b>
	<b>Series TLA</b>	<b>Series TLA12</b>
	<b>Series DES ( Specialty / Custom Applications )</b>	

Conform to the following standards:

Safety: EN/IEC 60 204-1, JULY, 2006  
Safety of Machinery- Electrical Equipment of Machines  
EN 61558,  
Isolating Transformers and Safety Isolating  
Transformer Requirements

Supplementary Information:

When properly installed and used, the Dongan Disconnect Series cited above meet the essential requirements, are in conformity with, and the CE Marking has been applied, according to the relevant EC Directives listed above and appropriate sections of the Low Voltage Directive 73/23/EEC.

Licensed by TÜV Rheinland of North America, Inc, license No. T9773001.01, dated December 5, 1997.

**Dongan Electric Manufacturing Company**

Dave Shah  
Chief Engineer

Detroit, Michigan 48207 USA  
January, 1998

Approved By: D. Shah Initial DS Written By: C. Lincoln Initial CL Revision 1.3 Date 4/1/02

# Dongan Electric Manufacturing Company



## CE Marked Disconnects

Dongan Transformer Disconnects provide off the shelf solutions for lighting and auxiliary power to control panels world wide. All disconnects are UL and Canadian UL Listed. In addition, most series have been tested and licensed by TÜV Rheinland as being in compliance with EN 60 204-1 and EN 60 742. These products bear both the CE Mark and the European Union "T" Mark under the Safety of Machinery Standard.

*With Dongan Disconnects, approvals are built in - not a high cost option.*



## CE Marked Transformers

Dongan also supplies single and three phase CE Marked transformers. Dongan Series ES Transformers offer a global solution for transformer acceptability and reliability. Series ES are UL and Canadian UL Listed, CE Marked, and have been tested and licensed by TÜV Rheinland as being in compliance with EC Directives and the relevant sections of the Low Voltage Directive. Request Transfax Bulletin 107 for more information.



Dongan Electric Manufacturing Co.  
2987 Franklin  
Detroit, MI 48207  
800.428.2626 • 313.567.8500  
Fax 313.567.8828 • [www.dongan.com](http://www.dongan.com)  
[sales@dongan.com](mailto:sales@dongan.com)